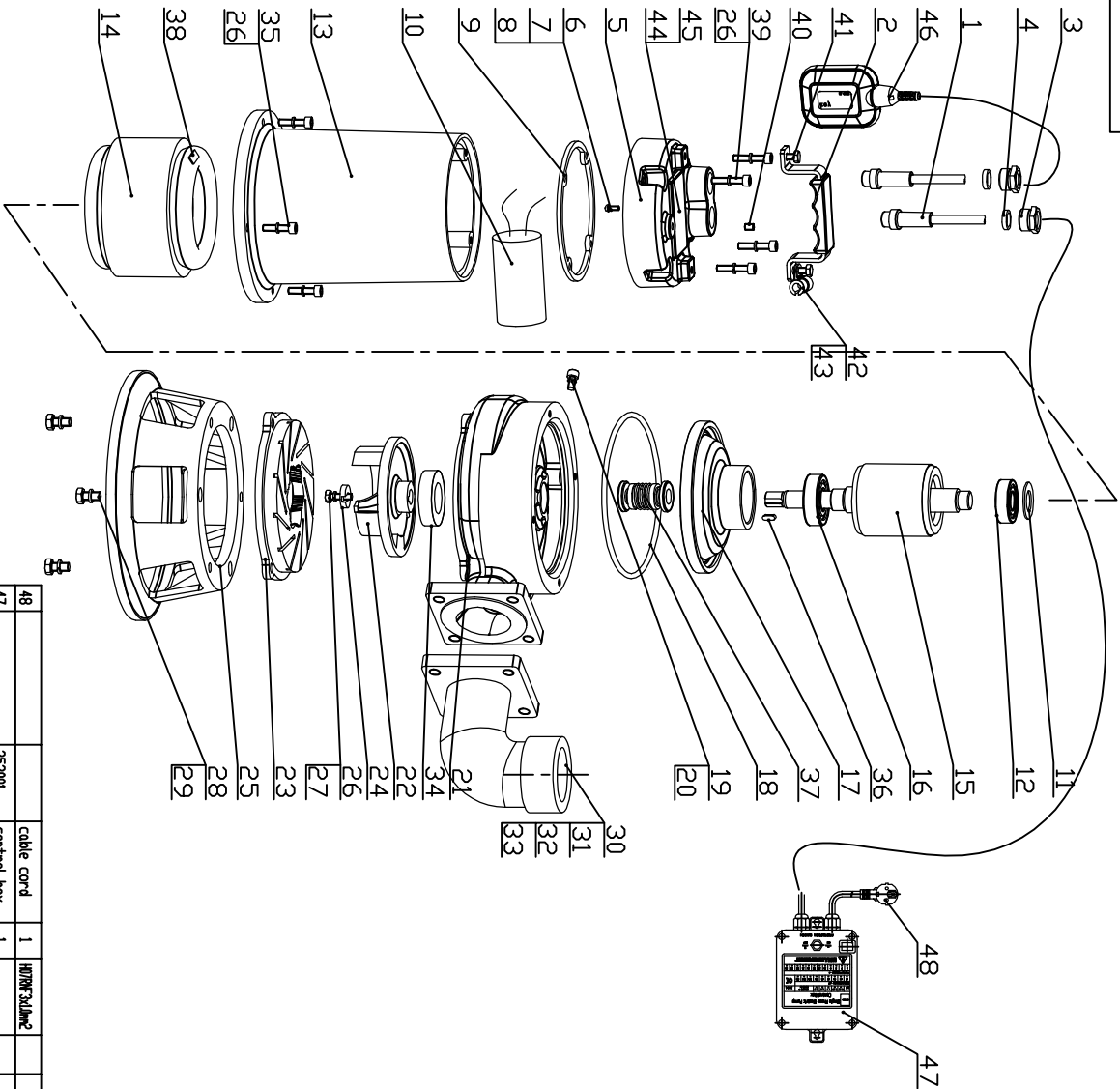


VO01 XE111L



48									
47		353001	control box	1					
46			pivot switch	1					
45		1401	pivot 2x4	4	copper				
44			nonplate	1	304				
43		089006	rubber cylinder	2	NR				

序号	代号	编号	名称	数量	材料	重量	备注
42		160007	cable clamp	2	304		
41		0813	hex head bolt M8X10	2	20Cr13		
40		030029	oil plug	1	304		
39		0945	hex head screw M6X30	4	20Cr13		
38		0512	thermal 17MM22	1			
37		0420	mechanical seal	1	enw/0802/3		16x28x38
36		1305	key 5x22-C	1	304		
35		0952	hex head screw M6X5	4	20Cr13		
34		0702	oil seal	1	NR		30x50x10
33		1156	spring washer 10	4	20Cr13		
32		132016	flange gasket	1	NR		
31		0814	hex head bolt M8X30	4	20Cr13		
30		176013	elbow	1	HT200		
29		1123	washer 8	3	20Cr13		
28		0815	hex head bolt M8X5	3	20Cr13		
27		0804	hex head bolt M8X10	1	20Cr13		
26		1108	washer 6	9	20Cr13		
25		132011	base	1	HT200		
24		132010	washer	1	304		
23		176010	spreading ring	1	Z635		
22		132006	impeller	1	Z635		
21		132009	volute casing	1	HT200		
20		019021	ø6 gasket	1	NR		
19		0901	screw M6X10	1	304		
18		0669	O ring 140X35	1	NR		
17		132005	lower bearing plate	1	HT200		
16		0104	bearing 6204	1			
15		132003	rotor	1			ø128/ø67/62
14			station	1			
13		132002	motor housing	1	HT200		
12		0109	bearing 6203	1			
11		1122	wave washer 4/0	1	65Mn		
10		0372	capacitor	1			25uF/450V
9		068003	gasket	1	NR		
8		1136	locking washer	1	65Mn		
7		1804	connector J1-14	1	brass		
6		09081	cross head screw M4X	1	Q235		
5		0680022	pump cover	1	HT200		
4		115006	pressing washer	2	304		
3		115002	pressing nut	2	304		
2			handle	1	304+NR		
1		068012	cable cord	1	NR		

材料:
 1. 304 2. NR
 3. 304+NR
 4. HT200
 5. Z635
 6. 65Mn
 7. brass
 8. HT200
 9. NR
 10. 25uF/450V
 11. 65Mn
 12. HT200
 13. HT200
 14. HT200
 15. HT200
 16. HT200
 17. HT200
 18. NR
 19. NR
 20. HT200
 21. HT200
 22. Z635
 23. Z635
 24. 304
 25. HT200
 26. 20Cr13
 27. 20Cr13
 28. 20Cr13
 29. 20Cr13
 30. HT200
 31. 20Cr13
 32. NR
 33. 20Cr13
 34. NR
 35. 20Cr13
 36. 304
 37. enw/0802/3
 38. 16x28x38
 39. 20Cr13
 40. 304
 41. 20Cr13
 42. 304
 43. NR
 44. 304
 45. copper
 46. NR
 47. NR
 48. NR

比例: 1:3
 重量: 100g
 尺寸单位: mm
 TRITEX 100A
 exploded view
 浙江丰源泵业股份有限公司